



EVOTECH®
P E R F O R M A N C E

Installation Instructions

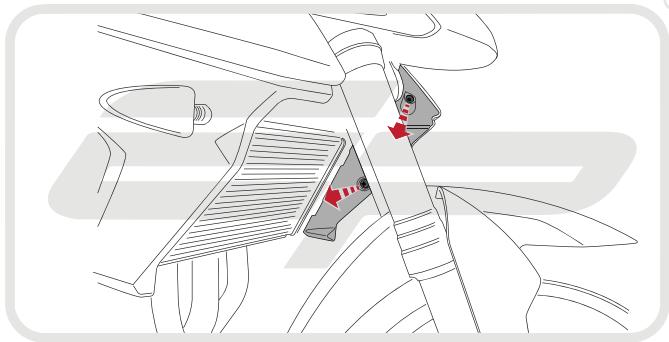


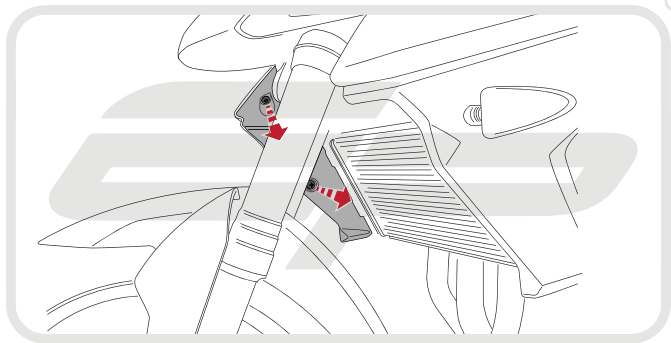
TRIUMPH TIGER 800 XRx 2015
RADIATOR GUARD

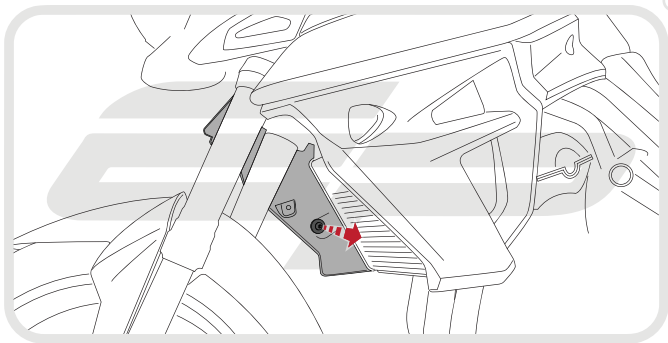
Product Reference - 12381

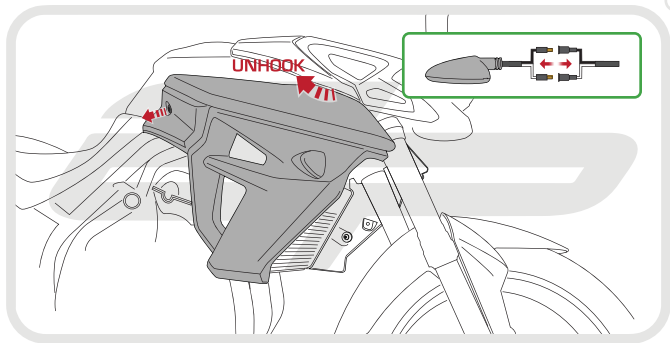
Kit Contents

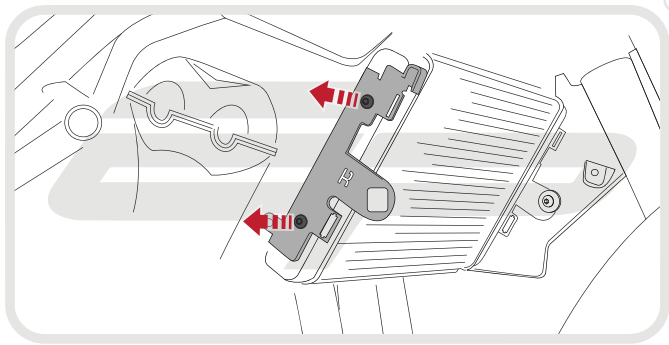
- Ⓐ 1 x Radiator Guard
- Ⓑ 8 x Neoprene Foam

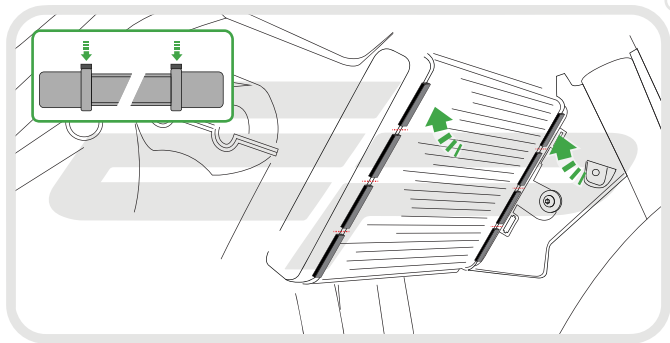


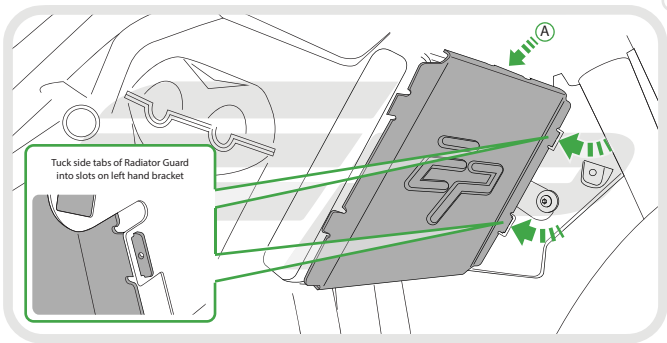


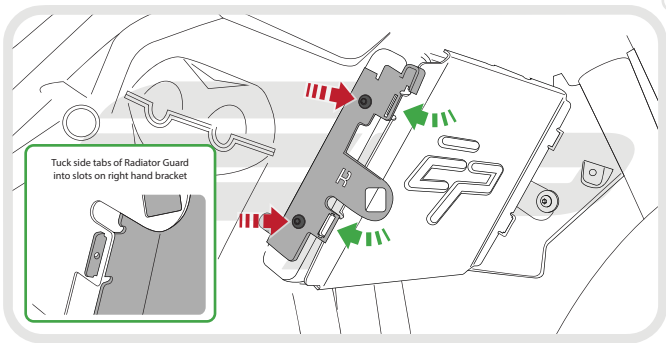














Reverse Stage
4 - 1

The text is centered within a large, light gray rounded rectangle. Behind the text is a large, faint, light gray version of the EP logo. To the left of the text are two green chevrons pointing to the left.



ESSENTIAL CHECKS



It is recommended that periodic inspections are made to ensure that dirt and debris have not become trapped between the guard and the radiator/oil cooler. Such dirt and debris would reduce the cooling efficiency of the radiator/oil cooler.

It is recommended that periodic inspections are made to ensure that all fixings are fully tightend.



EVOTECH®
P E R F O R M A N C E

www.evotech-performance.com